

REPLACEMENT SHEET

METHOD AND APPARATUS FOR SECURE PROCESSING OF SENSITIVE DATA
MARTIN TRAPP, ET AL.
SERIAL NO. 10/065,802
ATTORNEY DOCKET NO. I45-0017
Cantor Colburn LLP, 55 Griffin Road South, Bloomfield, CT 06002

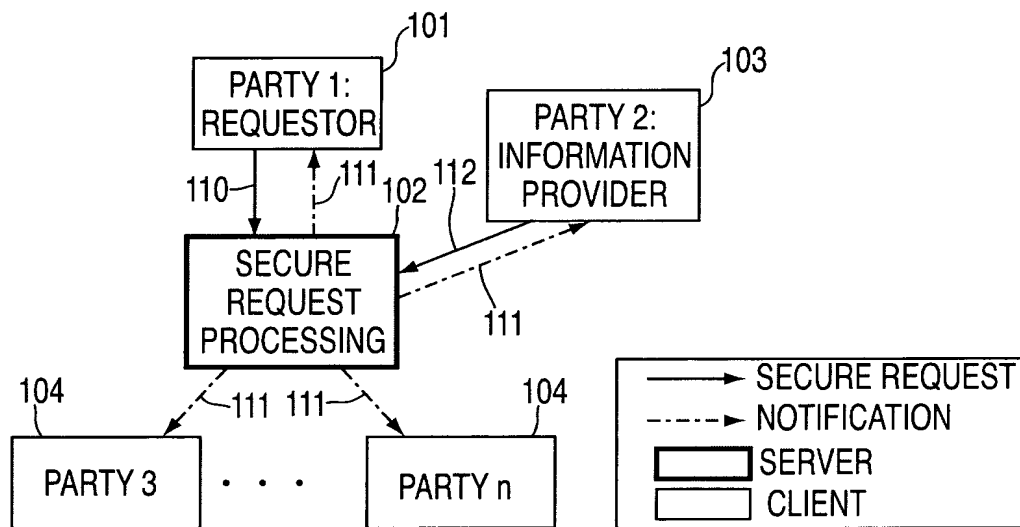


FIG. 1

REPLACEMENT SHEET

METHOD AND APPARATUS FOR SECURE PROCESSING OF SENSITIVE DATA
 MARTIN TRAPP, ET AL.
 SERIAL NO. 10/065,802
 ATTORNEY DOCKET NO. 145-0017
 Cantor Colburn LLP, 55 Griffin Road South, Bloomfield, CT 06002

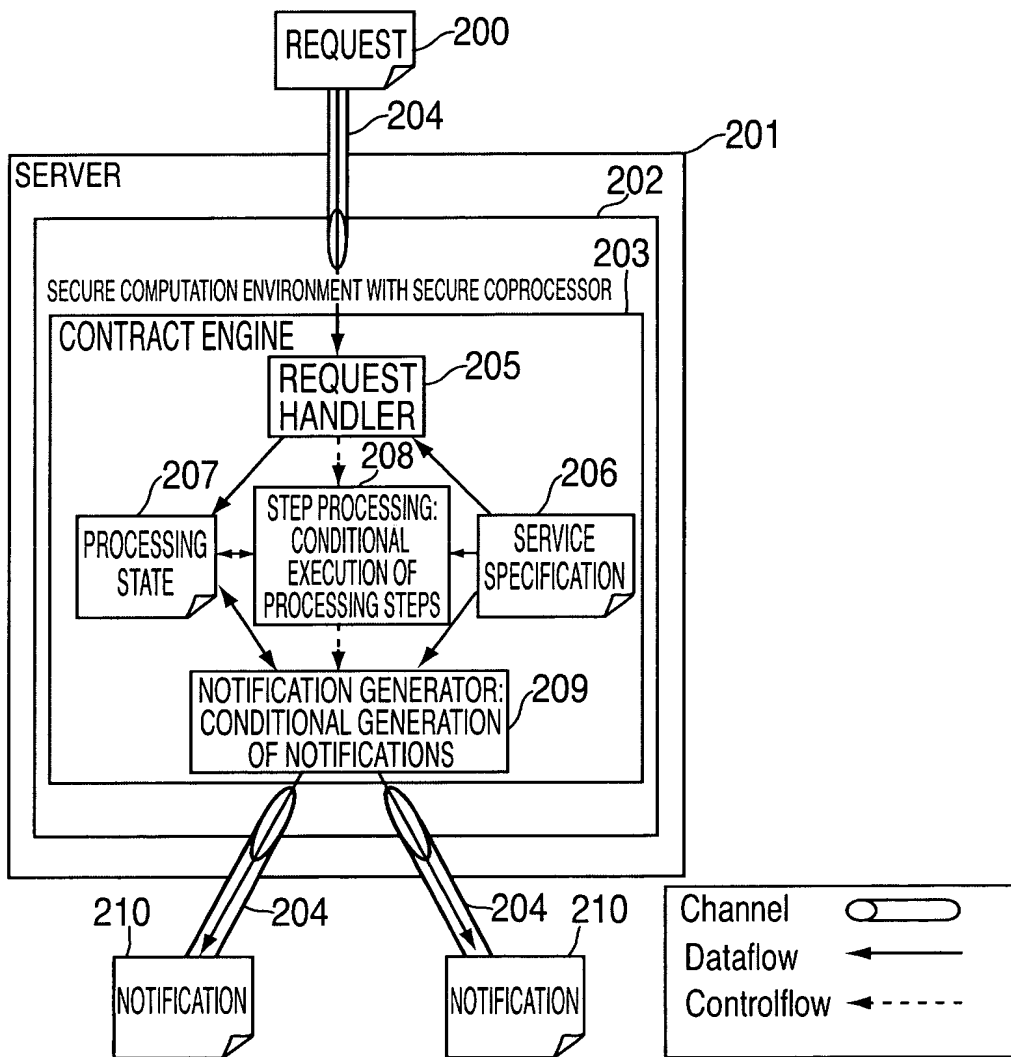


FIG. 2

REPLACEMENT SHEET

METHOD AND APPARATUS FOR SECURE PROCESSING OF SENSITIVE DATA
MARTIN TRAPP, ET AL.
SERIAL NO. 10/065,802
ATTORNEY DOCKET NO. 145-0017
Cantor Colburn LLP, 55 Griffin Road South, Bloomfield, CT 06002

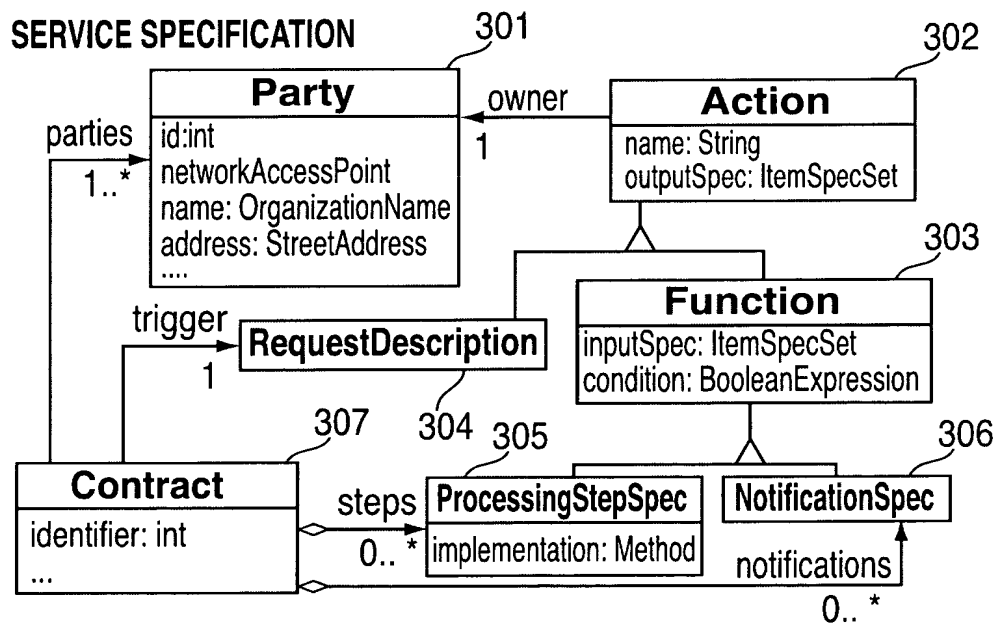


FIG. 3A

REPLACEMENT SHEET

METHOD AND APPARATUS FOR SECURE PROCESSING OF SENSITIVE DATA

MARTIN TRAPP, ET AL.

SERIAL NO. 10/065,802

ATTORNEY DOCKET NO. I45-0017

Cantor Colburn LLP, 55 Griffin Road South, Bloomfield, CT 06002

4/15

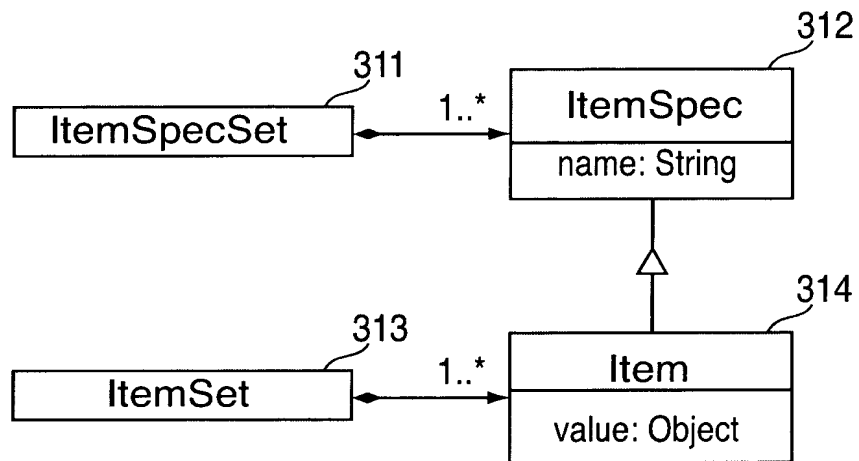


FIG. 3B

PRIOR ART

REPLACEMENT SHEET

METHOD AND APPARATUS FOR SECURE PROCESSING OF SENSITIVE DATA

MARTIN TRAPP, ET AL.

SERIAL NO. 10/065,802

ATTORNEY DOCKET NO. 145-0017

Cantor Colburn LLP, 55 Griffin Road South, Bloomfield, CT 06002

5/15

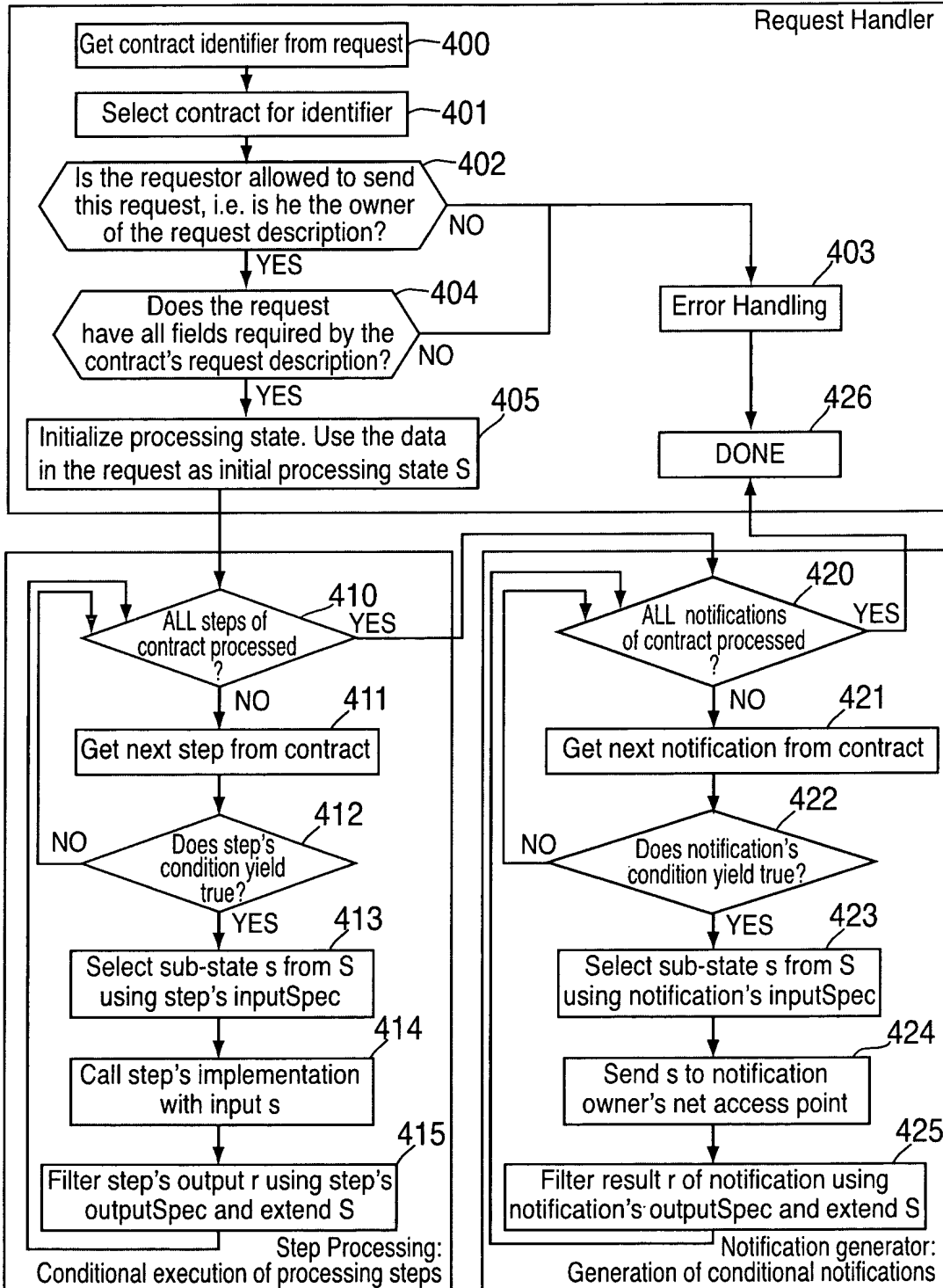


FIG. 4A

PRIOR ART

REPLACEMENT SHEET

METHOD AND APPARATUS FOR SECURE PROCESSING OF SENSITIVE DATA

MARTIN TRAPP, ET AL.

SERIAL NO. 10/065,802

ATTORNEY DOCKET NO. 145-0017

Cantor Colburn LLP, 55 Griffin Road South, Bloomfield, CT 06002

6/15

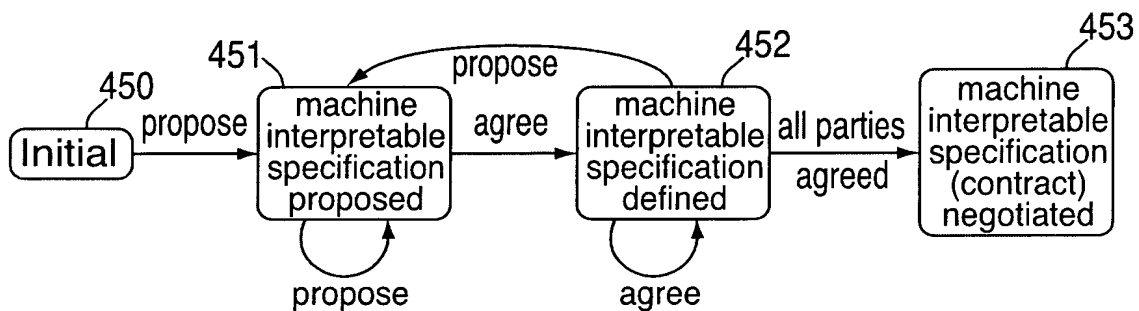


FIG. 4B

REPLACEMENT SHEET

METHOD AND APPARATUS FOR SECURE PROCESSING OF SENSITIVE DATA

MARTIN TRAPP, ET AL.

SERIAL NO. 10/065,802

ATTORNEY DOCKET NO. 145-0017

Cantor Colburn LLP, 55 Griffin Road South, Bloomfield, CT 06002

7/15

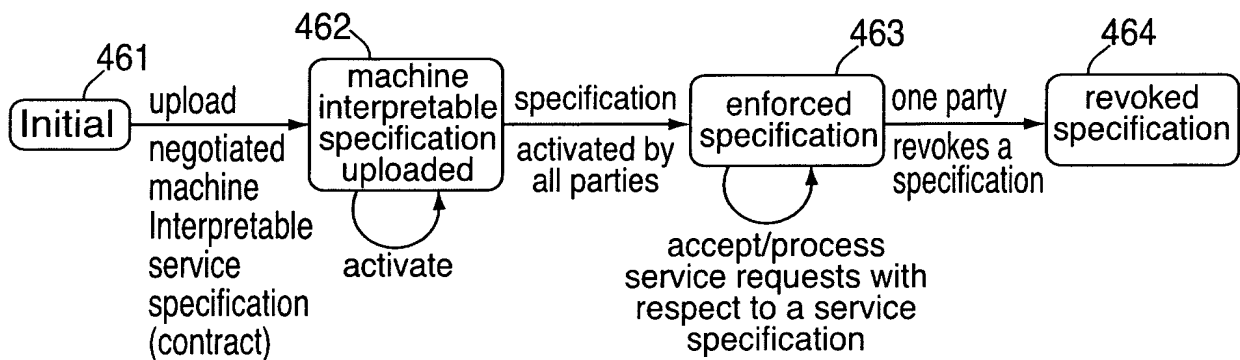


FIG. 4C

REPLACEMENT SHEET

METHOD AND APPARATUS FOR SECURE PROCESSING OF SENSITIVE DATA

MARTIN TRAPP, ET AL.

SERIAL NO. 10/065,802

ATTORNEY DOCKET NO. I45-0017

Cantor Colburn LLP, 55 Griffin Road South, Bloomfield, CT 06002

8/15

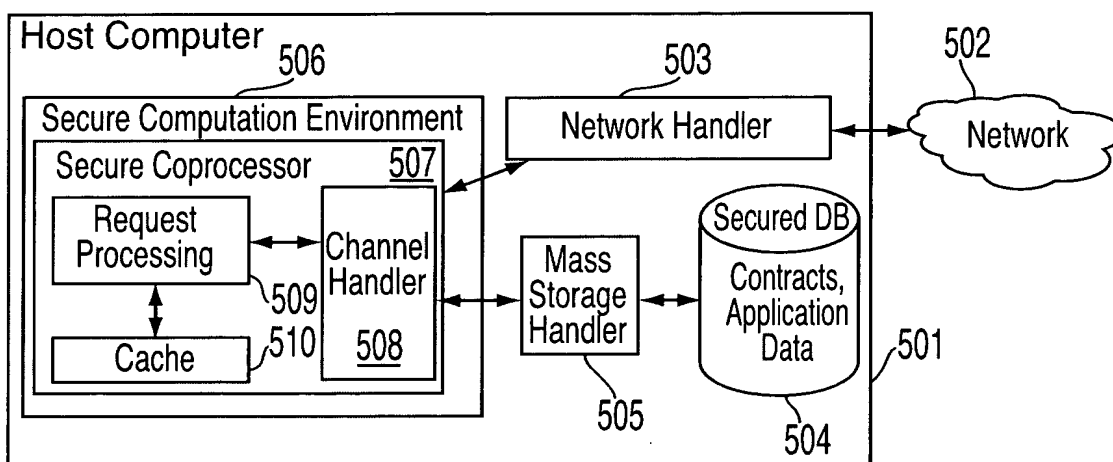


FIG. 5

PRIOR ART

REPLACEMENT SHEET

METHOD AND APPARATUS FOR SECURE PROCESSING OF SENSITIVE DATA

MARTIN TRAPP, ET AL.

SERIAL NO. 10/065,802

ATTORNEY DOCKET NO. 145-0017

Cantor Colburn LLP, 55 Griffin Road South, Bloomfield, CT 06002

9/15

601		602								
Contract ID:		4711B5								
Parties:		A:		ABC Airport						
		B:		QRS Agency						
		C:		XYZ Law Enforcement						
Action / Owner / Condition		Item	1:n Matching	Biometric Matching	Decoy Generation	Response1	Response2	Response3	Response4	
605	Request / A	606	Contract Id	/	/	+	/	/	/	/
			First Name	+	/	/	+	+	/	/
			Last Name	+	/	/	+	+	/	/
			Date of Birth	+	/	/	+	+	/	/
			Act. Finger Print	/	+	/	/	/	/	/
			Location	/	/	/	+	+	/	/
			Transaction No.	/	/	/	/	/	/	+
608	1:n Matching against Watch List XYZ / B / True	611	Matched	/	/	/	/	/	/	
			First Name	/	/	/	+	+	/	/
			Last Name	/	/	/	+	+	/	/
			Date of Birth	/	/	/	+	+	/	/
			Suspect Class	/	/	/	/	/	/	/
			Filed Finger Print	+	/	/	/	/	/	/
			Previous Convictions	/	/	/	/	/	/	/
609	Biometric Match/ C /Matched	610	Correlation	/	/	+	+	/	/	
			Decoy Generation/ B /NOT Matched	Decoy	/	/	/	+	/	
610	Notification1/ C /Matched AND Suspect Class<5	612	Return Code C	/	/	/	/	+	/	
			Notification2/ C /Matched AND Suspect Class<4	Return Code C	/	/	/	/	+	
			Notification3/ C /NOT Matched	Return Code C	/	/	/	/	+	
			Notification4/ A /True	Return Code A	/	/	/	/	+	
		608								

Legend:	<input checked="" type="checkbox"/>	include data item (row) in action's (column) input specification,
	<input type="checkbox"/>	exclude data item from action's input specification,
	<input type="checkbox"/>	not applicable, since data item is not yet computed

FIG. 6

PRIOR ART

REPLACEMENT SHEET

METHOD AND APPARATUS FOR SECURE PROCESSING OF SENSITIVE DATA

MARTIN TRAPP, ET AL.

SERIAL NO. 10/065,802

ATTORNEY DOCKET NO. I45-0017

Cantor Colburn LLP, 55 Griffin Road South, Bloomfield, CT 06002

10/15

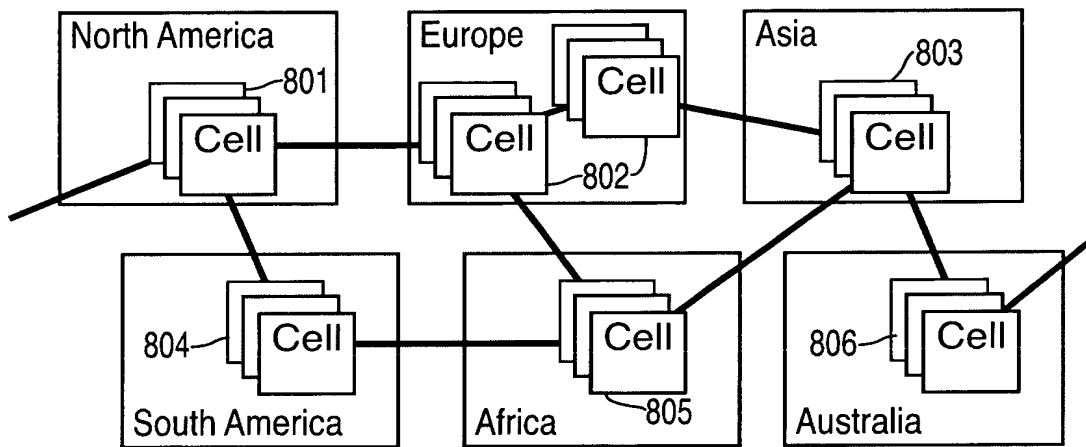


FIG. 7

PRIOR ART

REPLACEMENT SHEET

METHOD AND APPARATUS FOR SECURE PROCESSING OF SENSITIVE DATA

MARTIN TRAPP, ET AL.

SERIAL NO. 10/065,802

ATTORNEY DOCKET NO. 145-0017

Cantor Colburn LLP, 55 Griffin Road South, Bloomfield, CT 06002

11/15

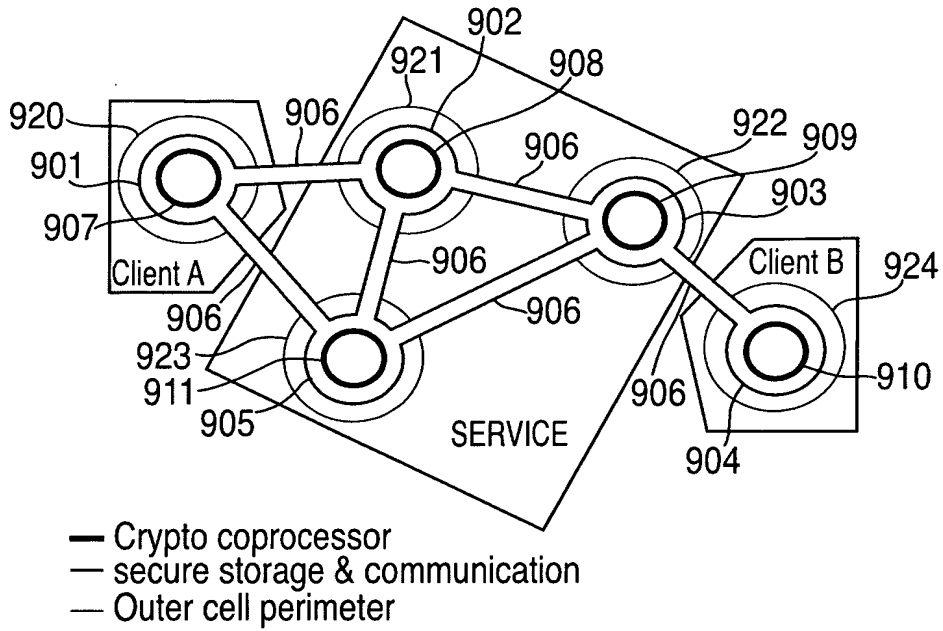


FIG. 8

PRIOR ART

REPLACEMENT SHEET

METHOD AND APPARATUS FOR SECURE PROCESSING OF SENSITIVE DATA

MARTIN TRAPP, ET AL.

SERIAL NO. 10/065,802

ATTORNEY DOCKET NO. 145-0017

Cantor Colburn LLP, 55 Griffin Road South, Bloomfield, CT 06002

12/15

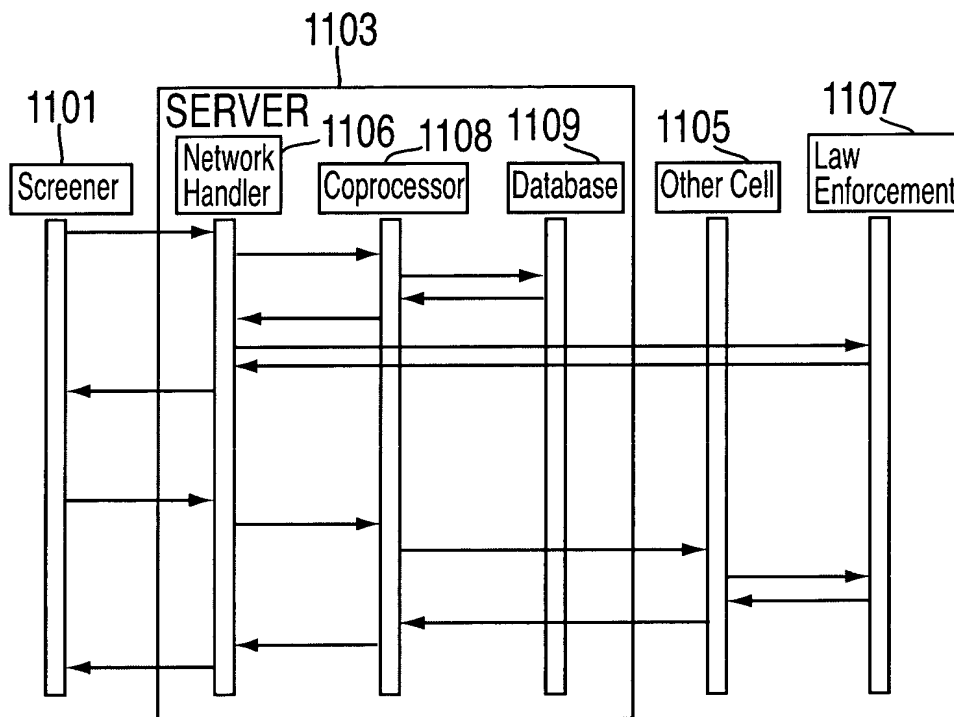


FIG. 9

PRIOR ART

REPLACEMENT SHEET

METHOD AND APPARATUS FOR SECURE PROCESSING OF SENSITIVE DATA
MARTIN TRAPP, ET AL.
SERIAL NO. 10/065,802
ATTORNEY DOCKET NO. I45-0017
Cantor Colburn LLP, 55 Griffin Road South, Bloomfield, CT 06002
13/15

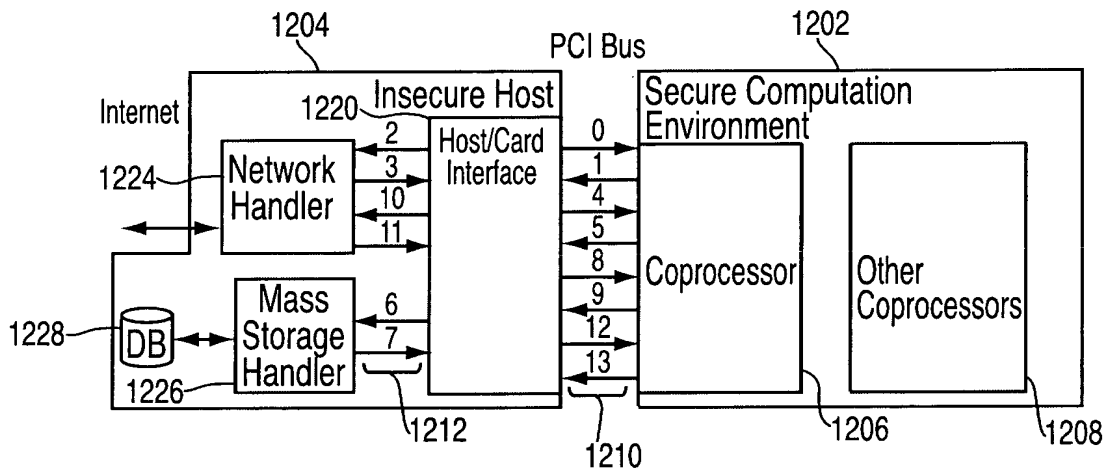


FIG. 10

PRIOR ART

REPLACEMENT SHEET

METHOD AND APPARATUS FOR SECURE PROCESSING OF SENSITIVE DATA

MARTIN TRAPP, ET AL.

SERIAL NO. 10/065,802

ATTORNEY DOCKET NO. 145-0017

Cantor Colburn LLP, 55 Griffin Road South, Bloomfield, CT 06002

14/15

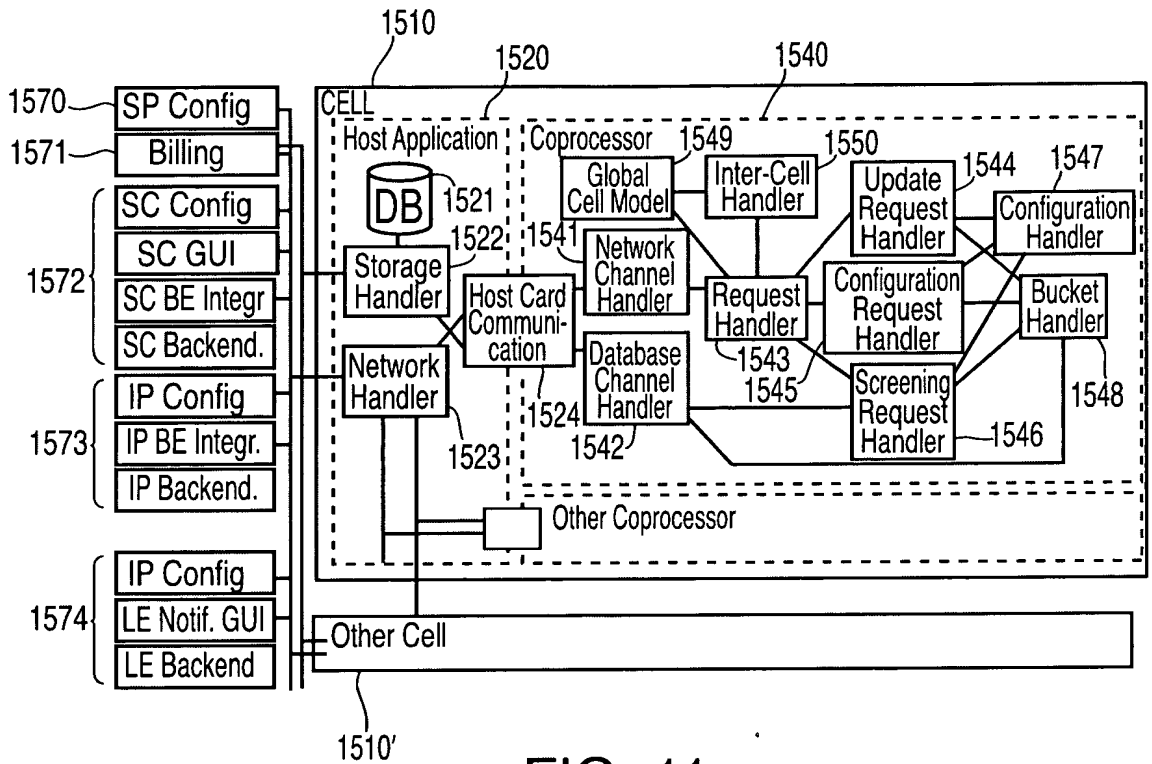


FIG. 11

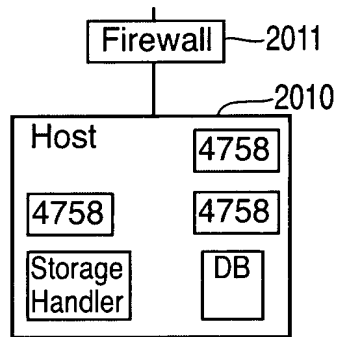


FIG. 12A

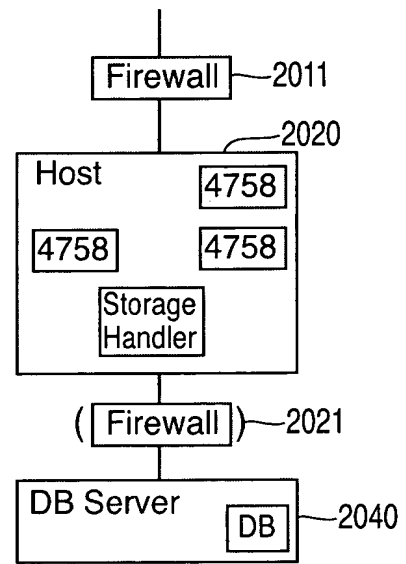


FIG. 12B

PRIOR ART

REPLACEMENT SHEET

METHOD AND APPARATUS FOR SECURE PROCESSING OF SENSITIVE DATA

MARTIN TRAPP, ET AL.

SERIAL NO. 10/065,802

ATTORNEY DOCKET NO. 145-0017

Cantor Colburn LLP, 55 Griffin Road South, Bloomfield, CT 06002

15/15

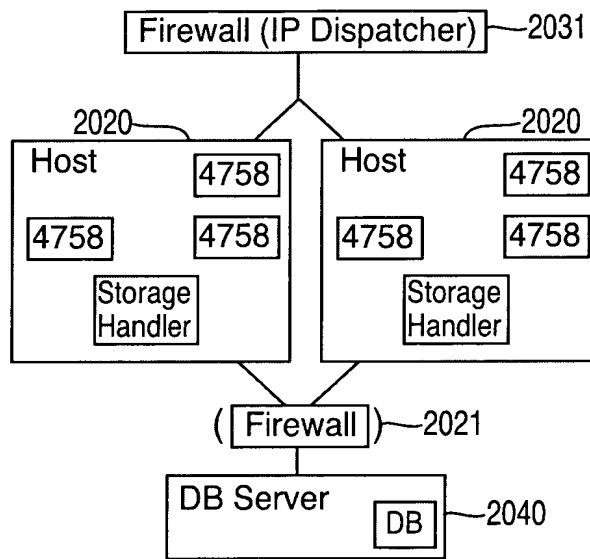


FIG. 12C

PRIOR ART